

ID PLUS 902 - ID PLUS 961



Applications

The controllers in the ID PLUS 902 and 961 ranges are new-generation devices with one activation point, capable of operation in conjunction with both heated applications and static cold storage units at normal temperatures (over 0°C).

Common features

New front panel design - Front panel: IP 65

Container: PC+ABS UL94 V-0 plastic resin casing, polycarbonate window, thermoplastic resin keys

Dimensions: front panel 74x32mm, depth 59mm

Installation: panel mounting with 71x29mm drilling template (+0.2/-0.1mm)

Operating temperature: -5...55°C

Storage temperature: -30...85°C

Ambient humidity for operation and storage:
10...90% RH (non-condensing)

Simplified user interface

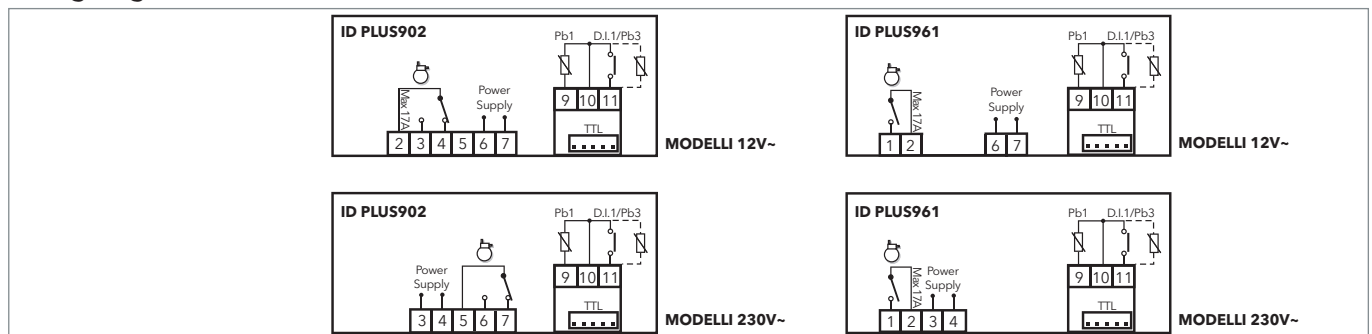
List of default parameters - can be selected and restored
HACCP function

Can be connected to Televis**System** and ModBus
New USB/TTL Unicard for uploading/downloading parameters

General features	ID PLUS 902	ID PLUS 961
Display range:	<ul style="list-style-type: none"> • NTC probe: -50.0...110.0°C • PTC probe: -55.0...140.0°C • Pt1000 probe: -55.0...150.0°C 	<ul style="list-style-type: none"> • NTC probe: -50.0...110.0°C • PTC probe: -55.0...140.0°C • Pt1000 probe: -55.0...150.0°C
Display:	with decimal point * 3 digits + sign	with decimal point * 3 digits + sign
Analogue inputs:	1 PTC / NTC / Pt1000 *	1 PTC / NTC / Pt1000 *
Configurable inputs:	1 digital (SELV) / analogue (PTC/NTC/Pt1000)*	1 digital (SELV) / analogue (PTC/NTC/Pt1000)*
Connections:	TTL port for connection to Unicard/Copy Card or Televis System /ModBus monitoring device*	TTL port for connection to Unicard/Copy Card or Televis System /ModBus monitoring device*
Digital outputs:	1 SPDT ½hp 8(4)A 250V~	1 SPST 2hp 12(12)A 250V~
Measurement range:	-55.0...150.0°C	-55.0...150.0°C
Accuracy:	better than 0.5% of end of scale +1 digit	better than 0.5% of end of scale +1 digit
Resolution:	1 or 0.1°C	1 or 0.1°C
Power consumption:	3W max	3W max
Power supply:	<ul style="list-style-type: none"> • 230V~ ±10% 50/60Hz • 12V~/± ±10% 50/60Hz 	<ul style="list-style-type: none"> • 230V~ ±10% 50/60Hz • 12V~/± ±10% 50/60Hz
HACCP:	present	present

*(selectable by parameter)

Wiring diagrams



Codes

p/n	descr.	Relay	Power supply
IDP11D0700000	ID PLUS 902 NTC	8A	230V~
IDP11D0300000	ID PLUS 902 NTC	8A	12V~/c

Codes

p/n	descr.	Relay	Power supply
IDP17D0700000	ID PLUS 961 NTC	2hp	230V~
IDP17D0300000	ID PLUS 961 NTC	2hp	12V~/c



Applications

Controllers in the ID PLUS 971 range are new-generation devices suitable for static cold storage units at normal and low temperatures; controllers in the ID PLUS 974 range are suitable for static and ventilated cold storage units at low temperatures.

Common features

New front panel design - Front panel: IP 65

Container: PC+ABS UL94 V-0 plastic resin casing, polycarbonate window, thermoplastic resin keys

Dimensions: front panel 74x32mm, depth 59mm

Installation: panel mounting with 71x29mm drilling template (+0.2/-0.1mm)

Operating temperature: -5...55°C

Storage temperature: -30...85°C

Ambient humidity for operation and storage: 10...90% RH (non-condensing)

Simplified user interface

List of default parameters - can be selected and restored

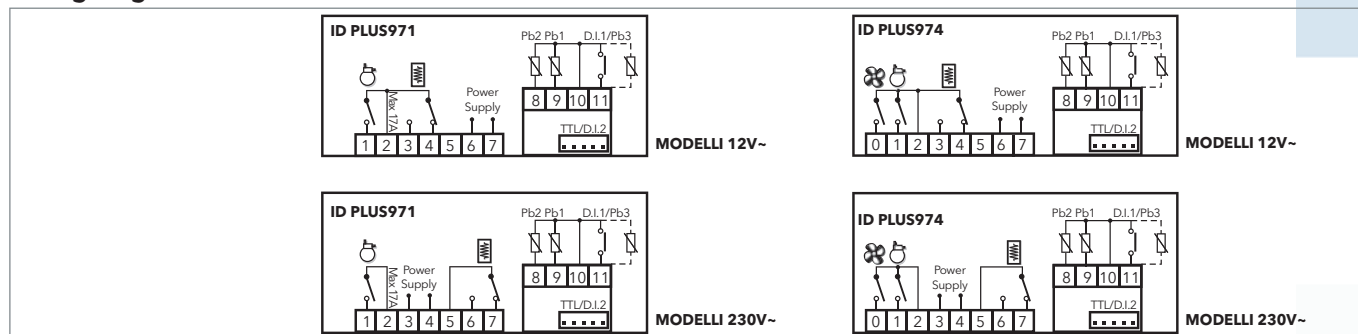
HACCP function

Can be connected to TelevisSystem and ModBus
New USB/TTL Unicard for uploading/downloading parameters

General features	ID-PLUS 971	ID-PLUS 974
Display range:	<ul style="list-style-type: none"> • NTC probe: -50.0...110.0°C • PTC probe: -55.0...140.0°C • Pt1000 probe: -55.0...150.0°C 	<ul style="list-style-type: none"> • NTC probe: -50.0...110.0°C • PTC probe: -55.0...140.0°C • Pt1000 probe: -55.0...150.0°C
Display:	with decimal point * 3 digits + sign	with decimal point * 3 digits + sign
Analogue inputs:	2 PTC / NTC / Pt1000 *	2 PTC / NTC / Pt1000 *
Configurable inputs:	1 digital (SELV) / analogue (PTC/NTC/Pt1000)* 1 digital (SELV) / serial TTL*	1 digital (SELV) / analogue (PTC/NTC/Pt1000)* 1 digital (SELV) / serial TTL*
Connections:	TTL port for connection to Unicard/Copy Card or TelevisSystem/ModBus monitoring device*	TTL port for connection to Unicard/Copy Card or TelevisSystem/ModBus monitoring device*
Digital outputs:	1 SPDT ½hp 8(4)A 250V~ 1 SPST 2hp 12(12)A 250V~	1 SPDT ½hp 8(4)A 250V~ 1 SPST 2hp 12(12)A 250V~ 1 SPST 5(2)A 250V~
Measurement range:	-55.0...150.0°C	-55.0...150.0°C
Accuracy:	better than 0.5% of end of scale +1 digit	better than 0.5% of end of scale +1 digit
Resolution:	1 or 0.1°C	1 or 0.1°C
Power consumption:	3W max	3W max
Power supply:	<ul style="list-style-type: none"> • 230V~ ±10% 50/60Hz • 12V~/= ±10% 50/60Hz 	<ul style="list-style-type: none"> • 230V~ ±10% 50/60Hz • 12V~/= ±10% 50/60Hz
Buzzer:	present	optional
HACCP:	present	present

*(selectable by parameter)

Wiring diagrams



Codes

p/n	descr.	Relay	Power supply
IDP29DB700000	ID PLUS 971 NTC	2hp/8A	230V~
IDP29DB300000	ID PLUS 971 NTC	2hp/8A	12V~/c

Codes

p/n	descr.	Relay	Power supply
IDP2ED0700000	ID PLUS 974 NTC	2hp/8A/5A	230V~
IDP2ED0300000	ID PLUS 974 NTC	2hp/8A/5A	12V~/c



Applications

ID 985 LX HotGas controllers are specially designed for supermarket refrigeration systems, with hot gas defrost management.

Common features

Front panel: IP65

Container: PC+ABS UL94 V-0 plastic resin casing, polycarbonate window, thermoplastic resin keys

Dimensions: front panel 74x32mm, depth 59mm

Installation: panel mounting with 71x29mm drilling template (+0.2/-0.1mm)

Operating temperature: -5...55°C

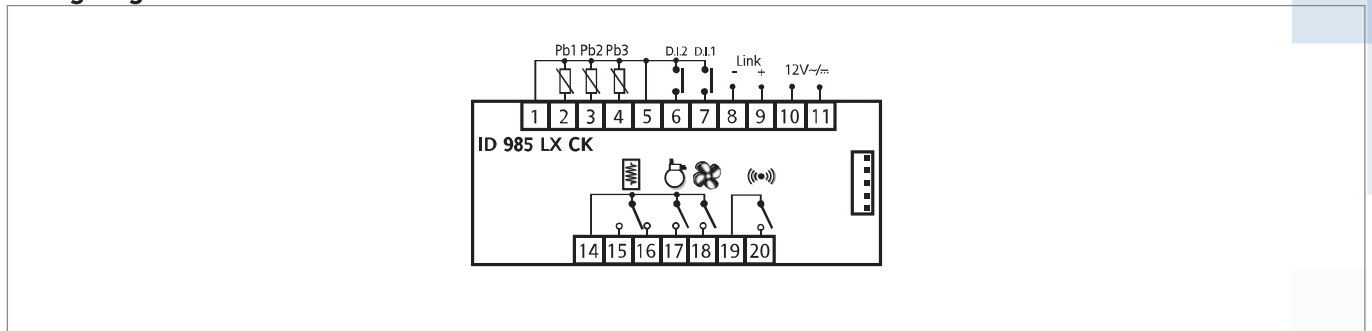
Storage temperature: -30...85°C

Ambient humidity for operation and storage: 10...90% RH (non-condensing)

General features	ID 985 LX HotGas	ID 985 LX HACCP	ID 985 LX HACCP Yearly Calendar
Display range:	<ul style="list-style-type: none"> • NTC probe: -50.0...110.0°C • PTC probe: -55.0...140.0°C 	<ul style="list-style-type: none"> • NTC probe: -50.0...110.0°C • PTC probe: -55.0...140.0°C 	<ul style="list-style-type: none"> • NTC probe: -50.0...110.0°C • PTC probe: -55.0...140.0°C
Display:	no decimal point * 3 and a half digits + sign	no decimal point * 3 and a half digits + sign	no decimal point * 3 and a half digits + sign
Analogue inputs:	3 PTC or NTC *	3 PTC or NTC *	3 PTC or NTC *
Digital inputs:	2 voltage-free inputs *	2 voltage-free inputs *	2 voltage-free inputs *
Connections:	TTL port for connection to Copy Card and Televis System	TTL port for connection to Copy Card and Televis System	TTL port for connection to Copy Card and Televis System
Digital outputs:	1 SPDT 8(3)A 250V~ + 2 SPST 8(3)A 250V~ + 1 SPST 5(2)A 250V~	1 SPDT 8(3)A 250V~ + 2 SPST 8(3)A 250Va 1 SPST 5(2)A 250V~	1 SPDT 8(3)A 250V~ + 2 SPST 8(3)A 250Va 1 SPST 5(2)A 250V~
Measurement range:	from -55 to 140°C	from -55 to 140°C	from -55 to 140°C
Accuracy:	better than 0.5% of end of scale + 1 digit	better than 0.5% of end of scale + 1 digit	better than 0.5% of end of scale + 1 digit
Resolution:	1 or 0.1°C	1 or 0.1°C	1 or 0.1°C
Power consumption:	3VA max	3VA max	1.5VA max
Power supply:	12V~/±10% 50/60Hz	12V~/±10% 50/60Hz	12V~/±10% 50/60Hz
HACCP:	not available	present	present
Yearly calendar:	not available	not available	present
Link:	present	not available	not available
Buzzer:	not available	present	present

*(selectable by parameter)

Wiring diagrams



Codes

p/n	descr.	Relay	Power supply
ID34DF1XCD310	ID 985 LX HotGas	8A/8A/8A/5A	12V
ID34DP0XCD390	ID 985 LX HACCP	8A/8A/8A/5A	12V

Codes

p/n	descr.	Relay	Power supply
ID34DT0XCD380	ID 985 LX Yearly Calendar	8A/8A/8A/5A	12V

ID 985 /S/E/CK - Echo



Applications

ID 985 controllers are suitable for any application on ventilated refrigeration units at normal or low temperature. The Echo is a remote signal repeater which can be connected to ID 985/S/E/CK controllers.

ID 985 /S/E/CK compact electronic controllers, specifically designed for supermarket refrigeration systems, are equipped with on-board integrated RS-485, remote display (Echo) and switching power supply; they guarantee quality and safety in the preservation of fresh and frozen foods and ensure the maximum efficiency of the refrigeration system in terms of energy saving.

Common features

Front panel: IP65

Container: PC+ABS UL94 V-0 plastic resin casing, polycarbonate window, thermoplastic resin keys

Operating temperature: -5...55°C

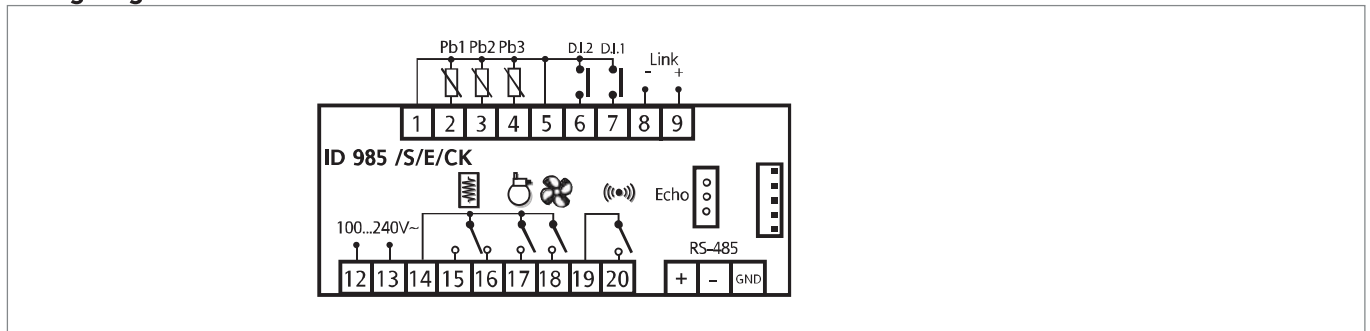
Storage temperature: -30...85°C

Ambient humidity for operation and storage: 10...90% RH (non-condensing)

General features

	ID 985/S/E/CK	Echo
Display range:	<ul style="list-style-type: none"> • NTC probe: -50.0...110.0°C • PTC probe: -50.0...140.0°C 	<ul style="list-style-type: none"> • NTC probe: -50.0...110.0°C • PTC probe: -50.0...140.0°C
Display:	no decimal point * 3 and a half digits + sign	no decimal point * 3 and a half digits + sign
Analogue inputs:	3 PTC or NTC *	-
Digital inputs:	2 voltage-free inputs	-
Connections:	TTL port for connection to Copy Card and TelevisSystem or systems based on ModBus protocol; internal RS-485 for connection to TelevisSystem or systems based on ModBus protocol	3-way connection (GND, data, 12V) on terminal block with quick connection
Digital outputs:	3 SPST 5(2)A 1/4hp 250V~ + 1 SPDT 8(3)A 250V~	-
Measurement range:	-55...140°C	-
Accuracy:	better than 0.5% of end of scale +1 digit	-
Resolution:	0.1°C	1 or 0.1°C
Power consumption:	2.5W max	-
Power supply:	100...240V~ ±10% 50/60Hz	from the instrument to which it is connected
Dimensions:	front panel 74x32mm, depth 66mm	front panel 48x28.6mm, depth 15mm
Installation:	panel mounting with 71x29 mm (+0.2/-0.1 mm) drilling template	panel mounting with 45.9x26.4mm (+0.2/-0.1mm) drilling template
Output for Echo:	present (/E model)	-
Link:	present (/CK model)	-
Clock:	present (/CK model)	-
*(selectable by parameter)		

Wiring diagrams



Codes

p/n	descr.	Plus	Power supply
ID34DR2SCDH00	ID 985/S/E/CK	RTC+Link	100...240V~

Codes

p/n	descr.
EH000010VE000	Echo